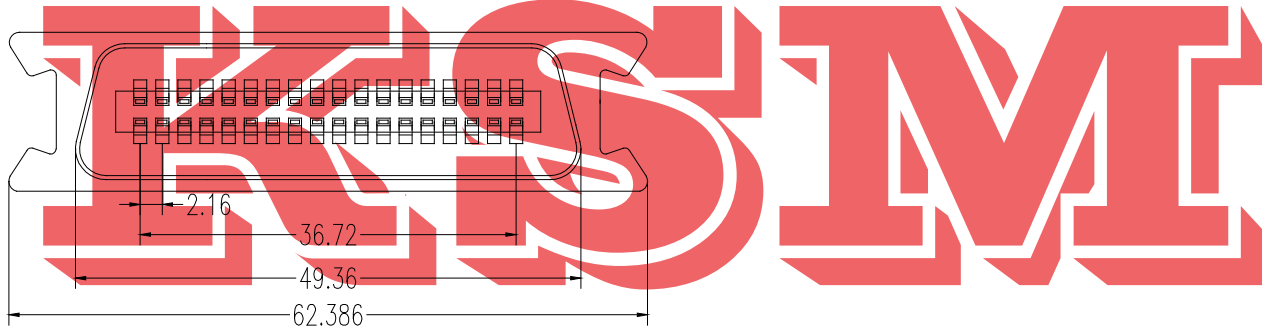
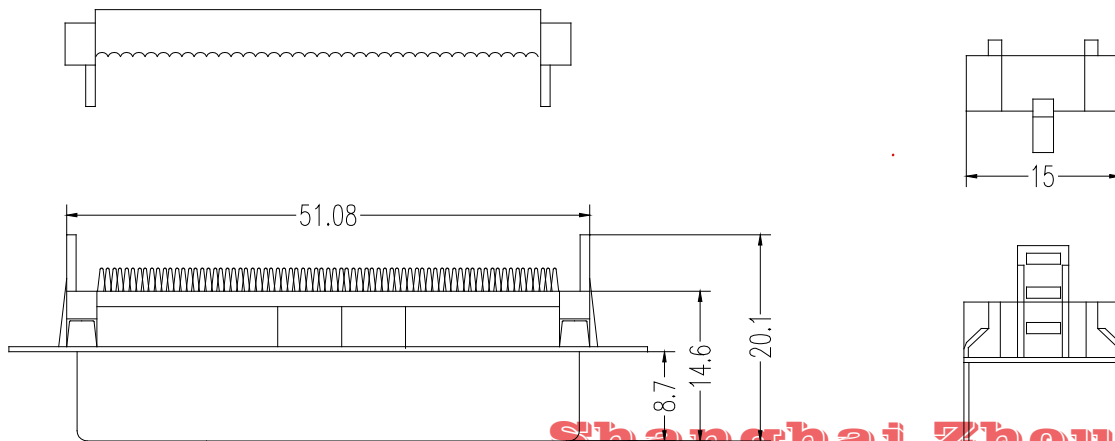


MARK	PLACES	ZONE	ECN	DATE



NOTE  
MATERIAL  
INSULATOR: PBT +30%GF  
CONTACTS:BRASS  
SHELL: SPCD  
CONTACT PLATING: GOLD PLATING OVER NICKEL  
ELECTRICAL SPECIFICATION  
CURRENT RATING: 3A;  
VOLTAGE RATING: 40V;  
CONTACT RESISTANCE: 20mΩ MAX.  
INSULATION RESISTANCE:3000MΩ MIN 500V DC.  
DIELECTRIC WITHSTANDING VOLTAGE:1000V AC.  
ENVIRONMENTA  
OPERRATING TEMPERATURE: -50℃~105℃.



**Shanghai ZhouRi Electronics.,CO.Ltd.**

**Add:No.668 Beijing East Road**

**Tel:86-21-51571121 53085565**

**Fax:86-21-51571120**

**Http:www.ksmchina.com**

**E-mail:zhouri11911@163.com**

UNLESS OTHERWISE SPECIFIED TOLERANCE			57F30360压排式		上海洲日电子有限公司	
DIMENSION	DECIMAL	ANGLE	MODEL NO.	57	Shanghai ZhuoRi Electronics CO.,LTD.	
X.X	±0.2	±0.5°	DWG. NO.	ZR-57-021	MATERIAL	FINISH
X.XXX	±0.1		Item NO.		COLOR	QUANTITY
X.XXX	±0.05					
DESIGNED			REV.	A	SCALE	1:1
CHECKED			THE THIRD ANGLE PROJECTION		UNIT	mm
APPROVED					SIZE	A4
					SHEET	OF
					PAGES	